

PRODUCT CODE: SFC20/25P
PVC / STEEL FLEXIBLE CONDUIT

DESCRIPTION

20mm PVC Coated Steel Flexible Conduit - 25mtr Coil

FINISH

Black PVC Coated

MATERIAL

Pre Galvanised Steel

PACKAGING

Packed in qty 1

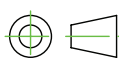
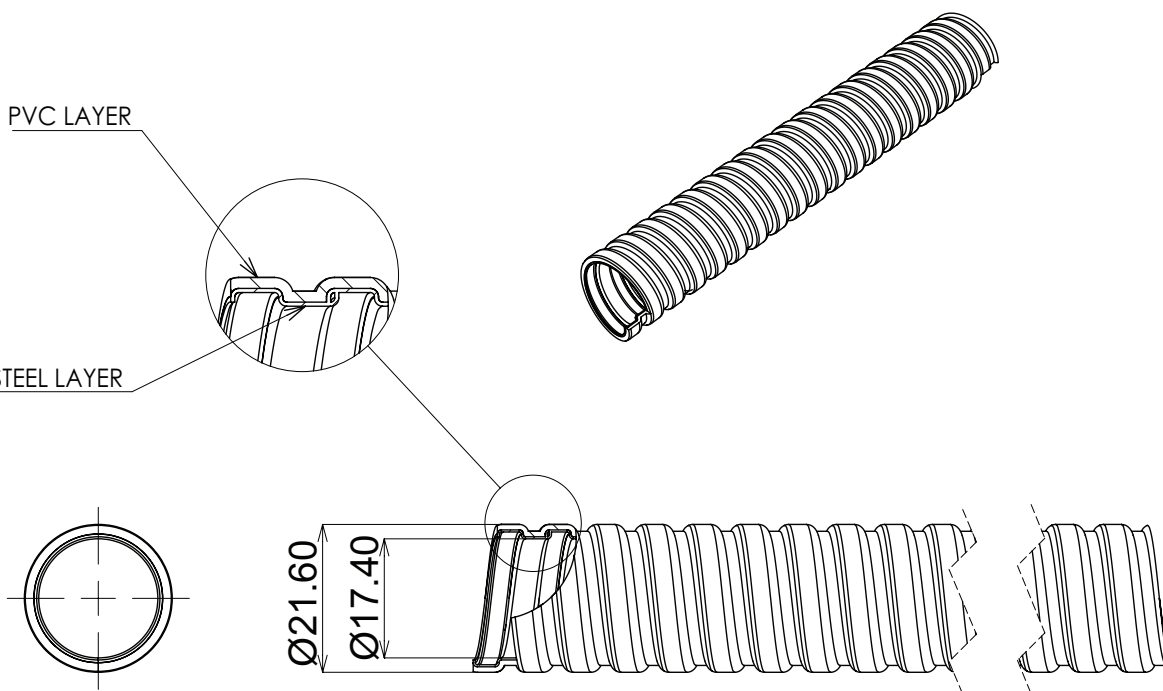
ADDITIONAL NOTES

IP65 Rated
RoHS Compliant
Temperature Range: -20°C to +80°C



PVC LAYER

STEEL LAYER



Values are nominal and with a general tolerance $\pm 5\%$ unless otherwise specified